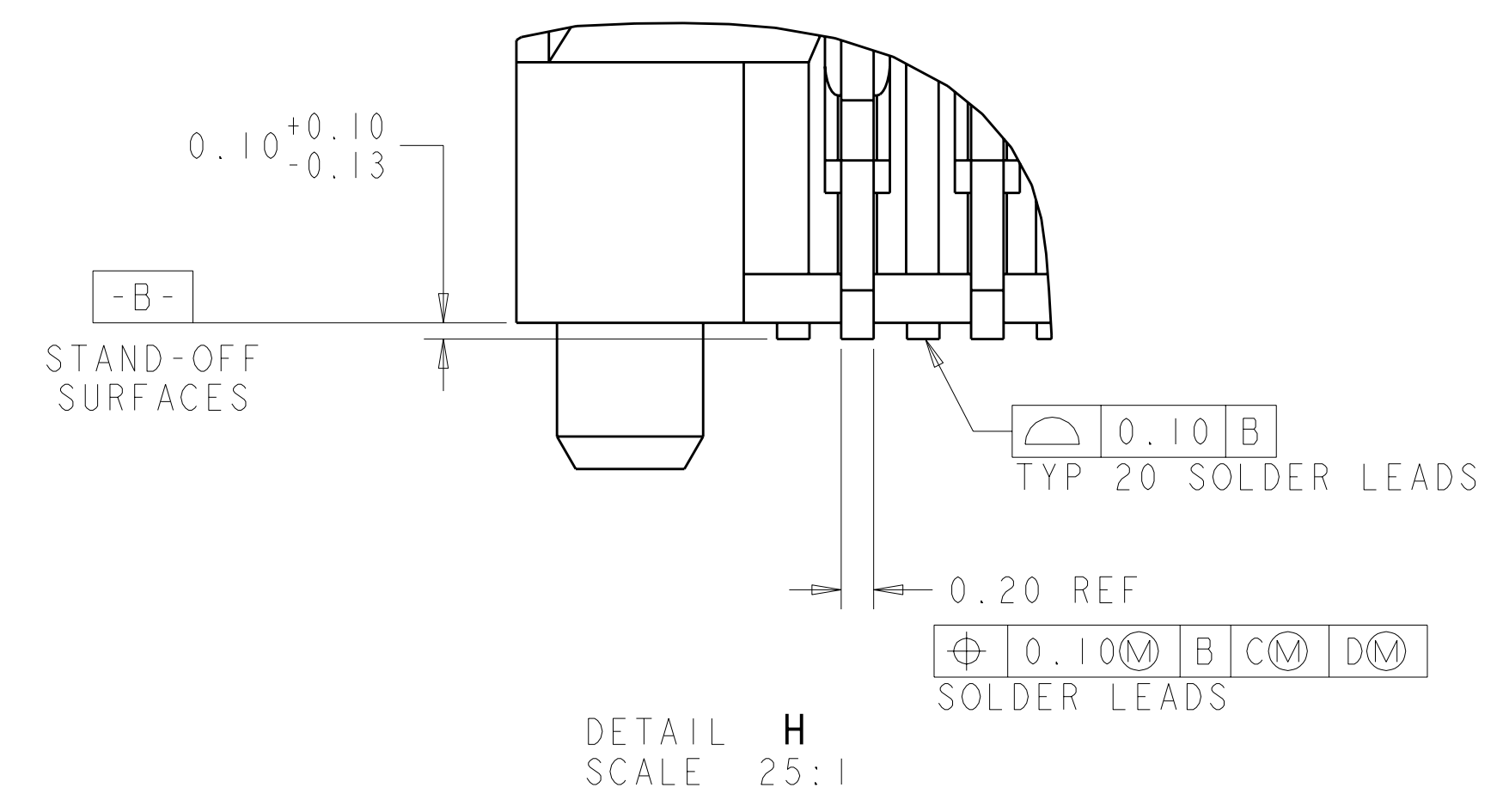
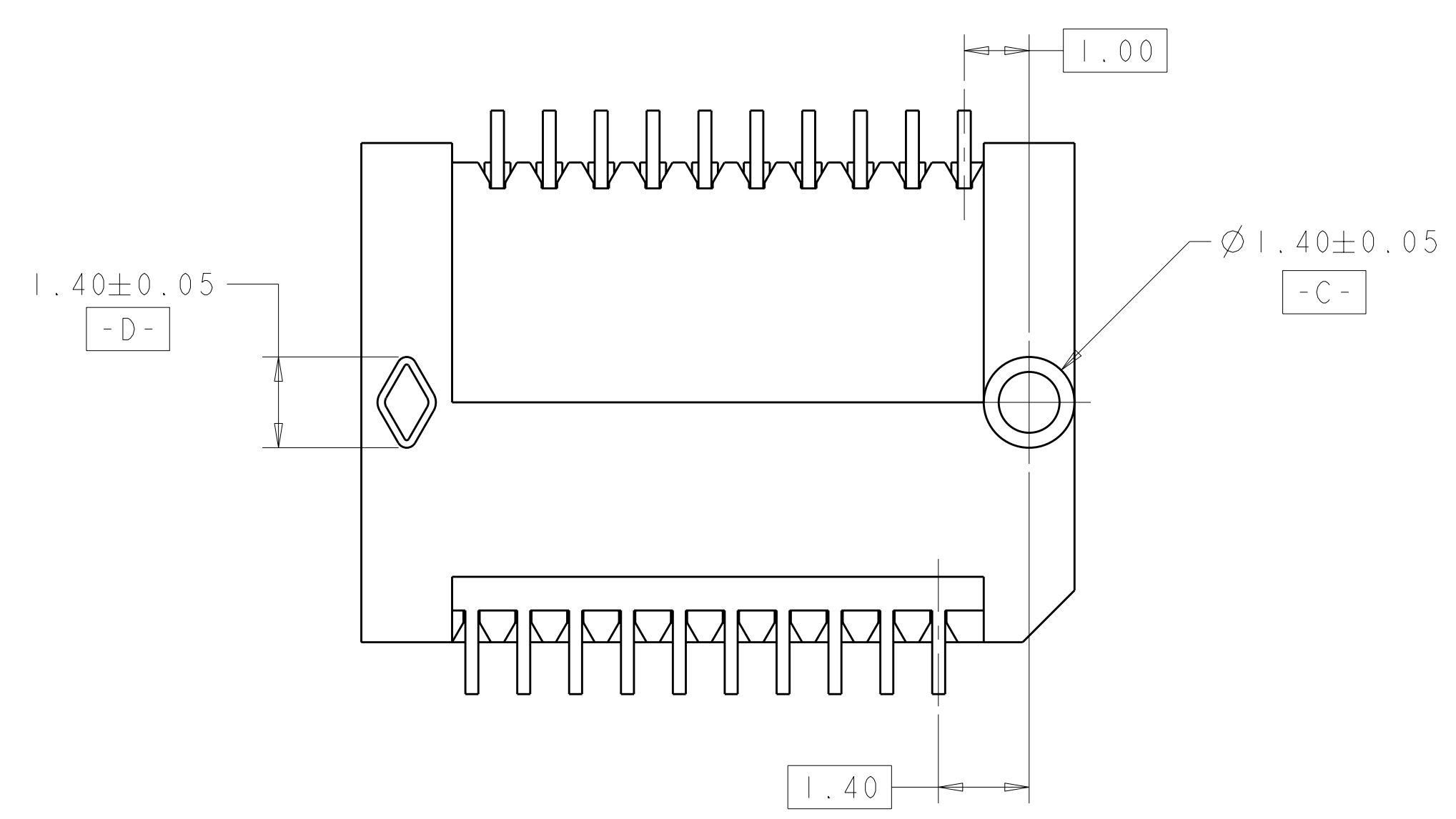
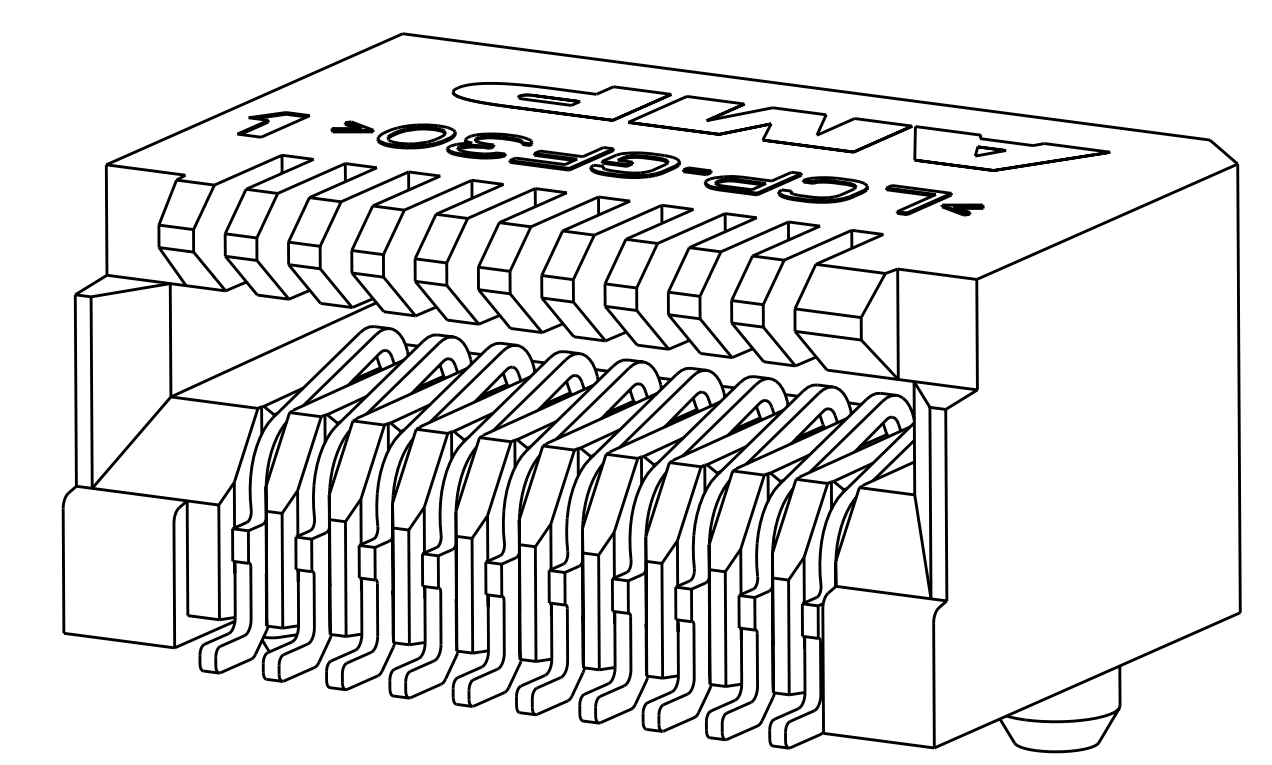
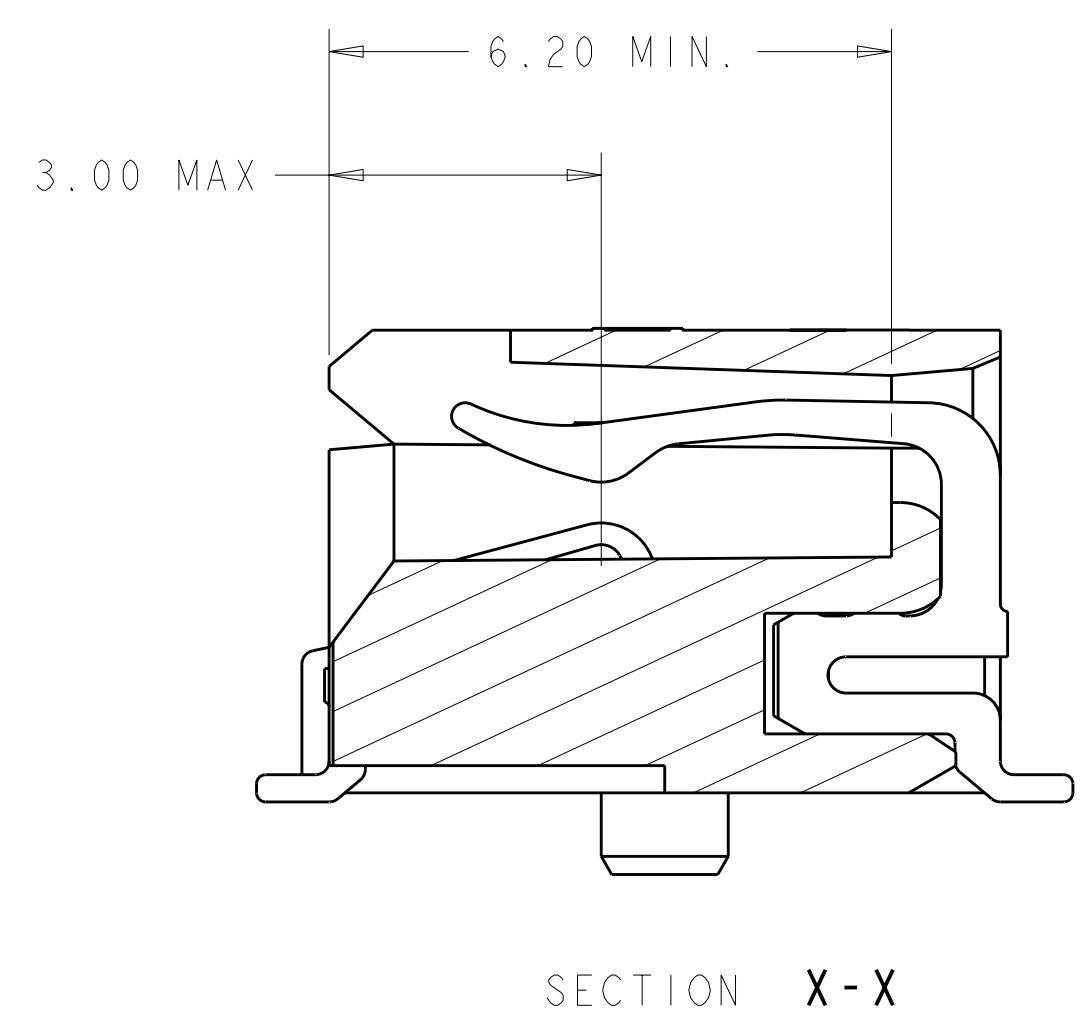
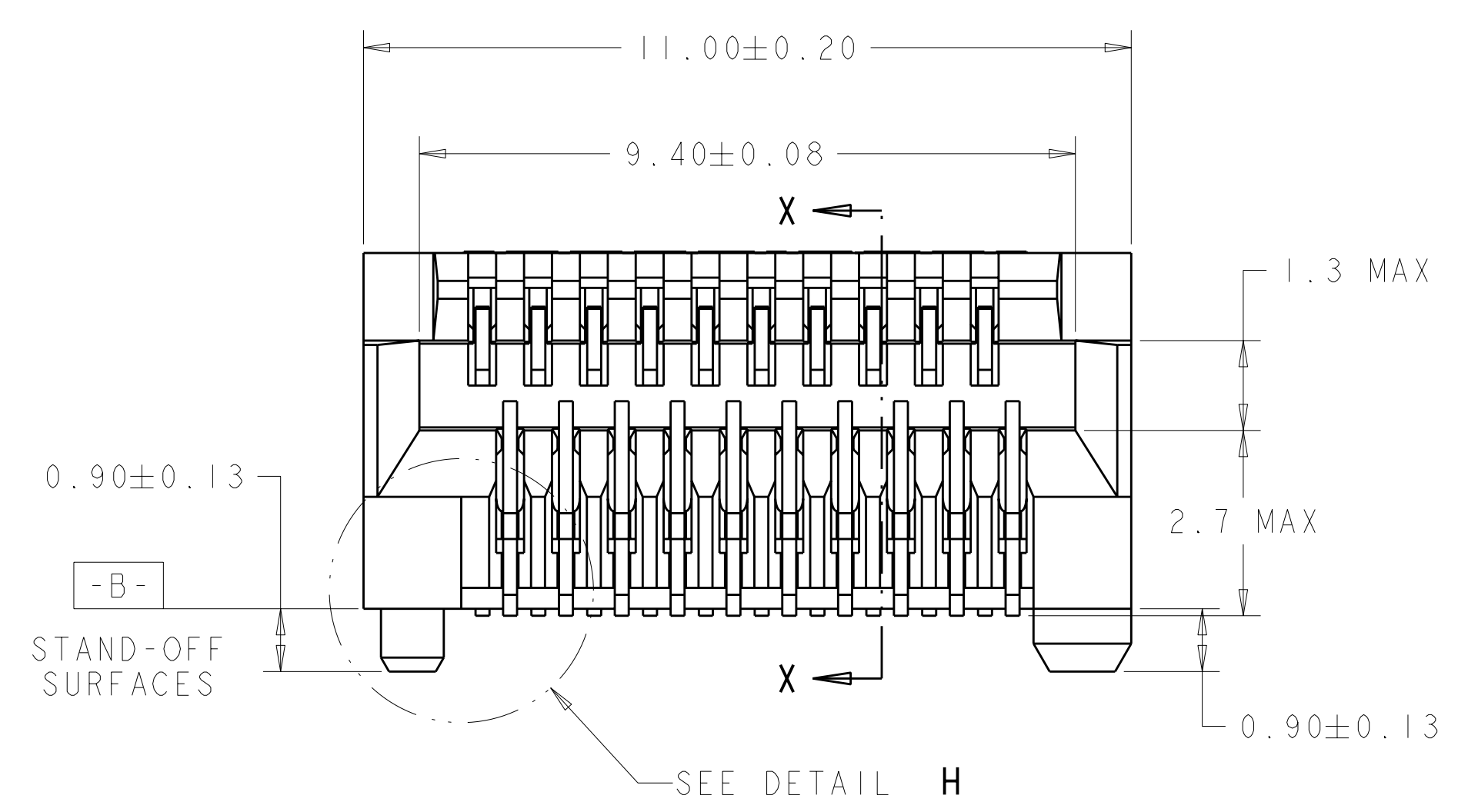
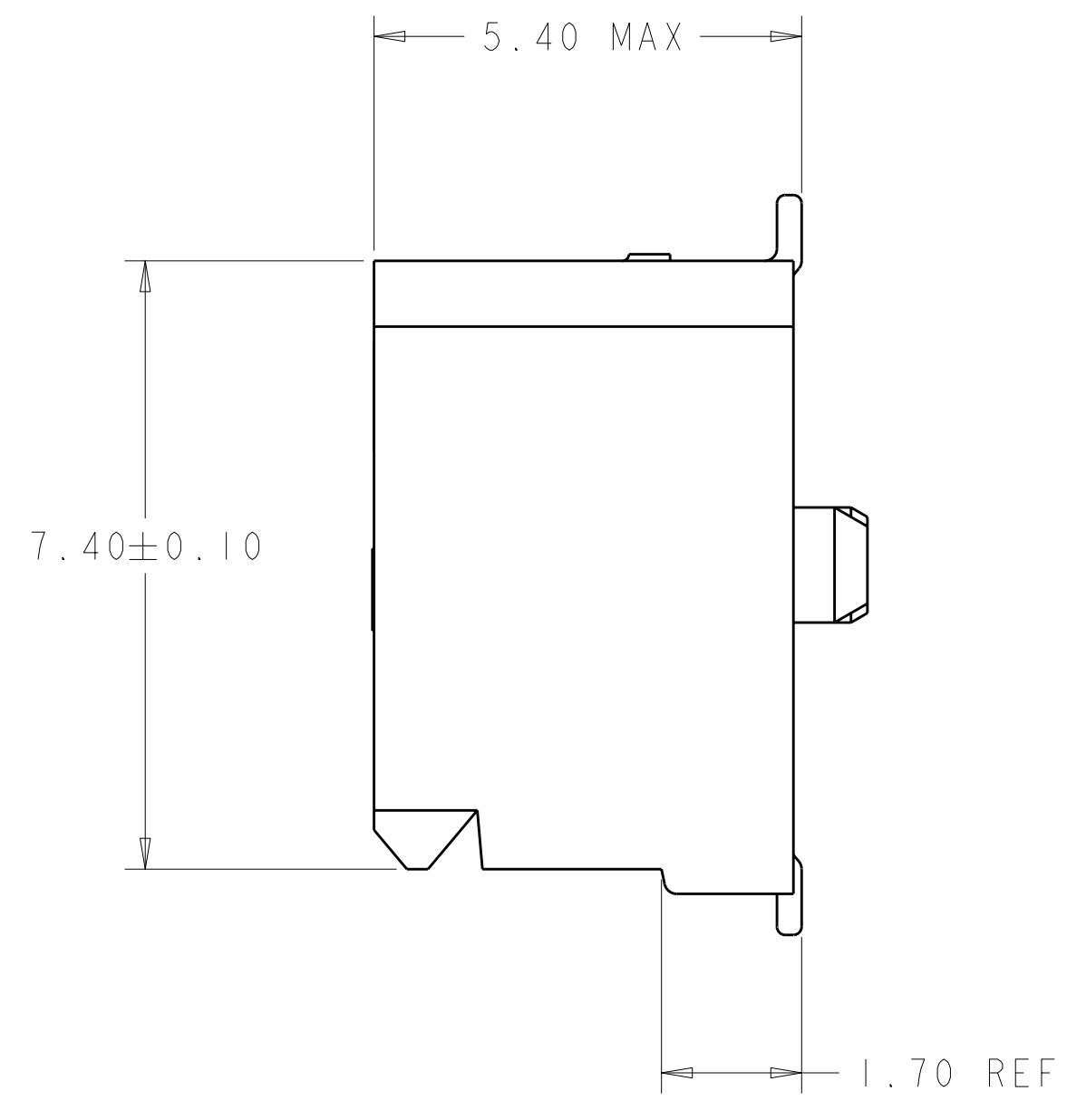
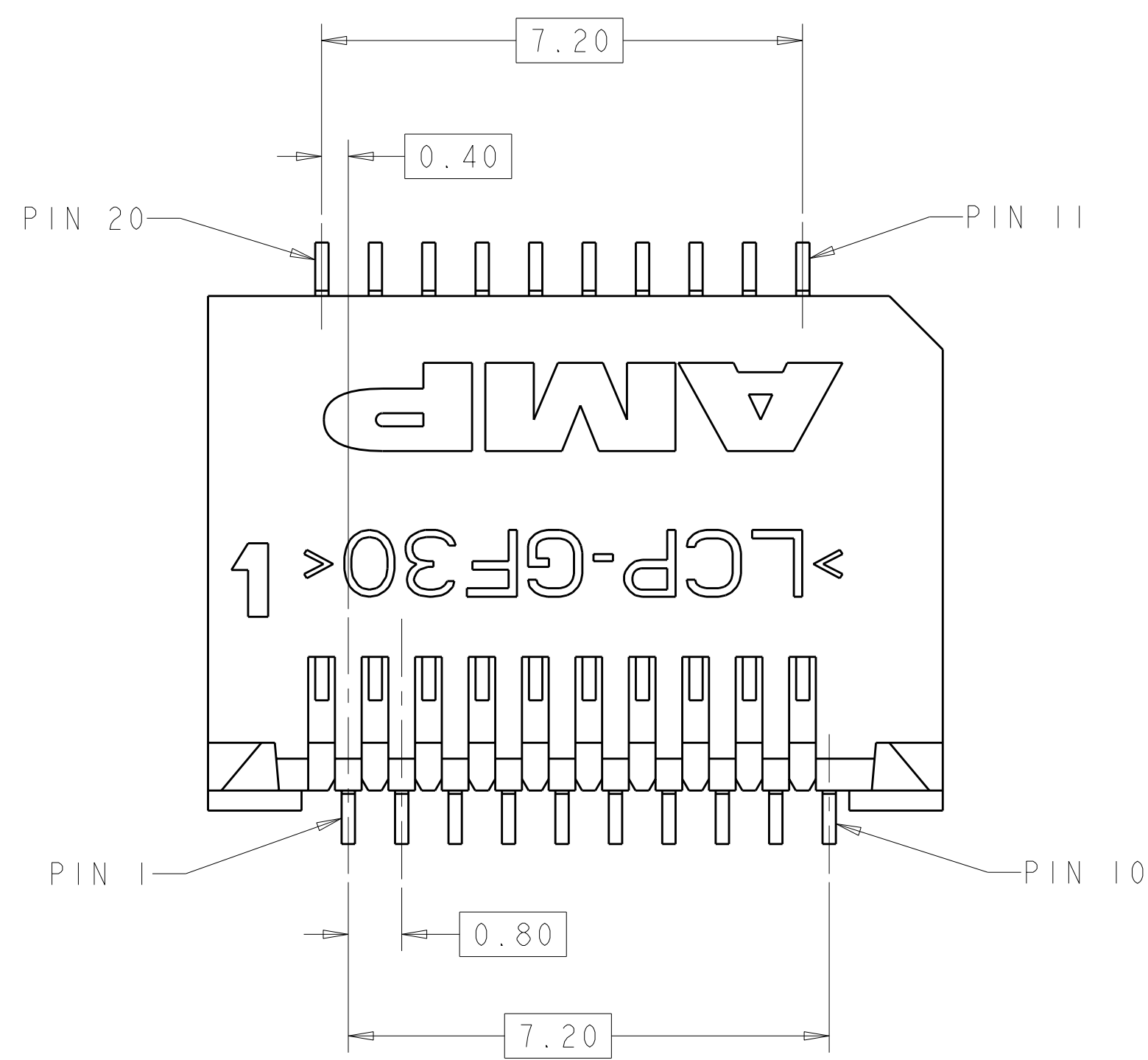


LOC	DIST	REV	DATE	BY	APPD
ES	00				
B		REVIS	15NOV6	BM	SS
C		REVIS	03APR07	BM	SS
D		REVIS	20JUL07	ML	SY
F		REVIS	25OCT07	LL	SY

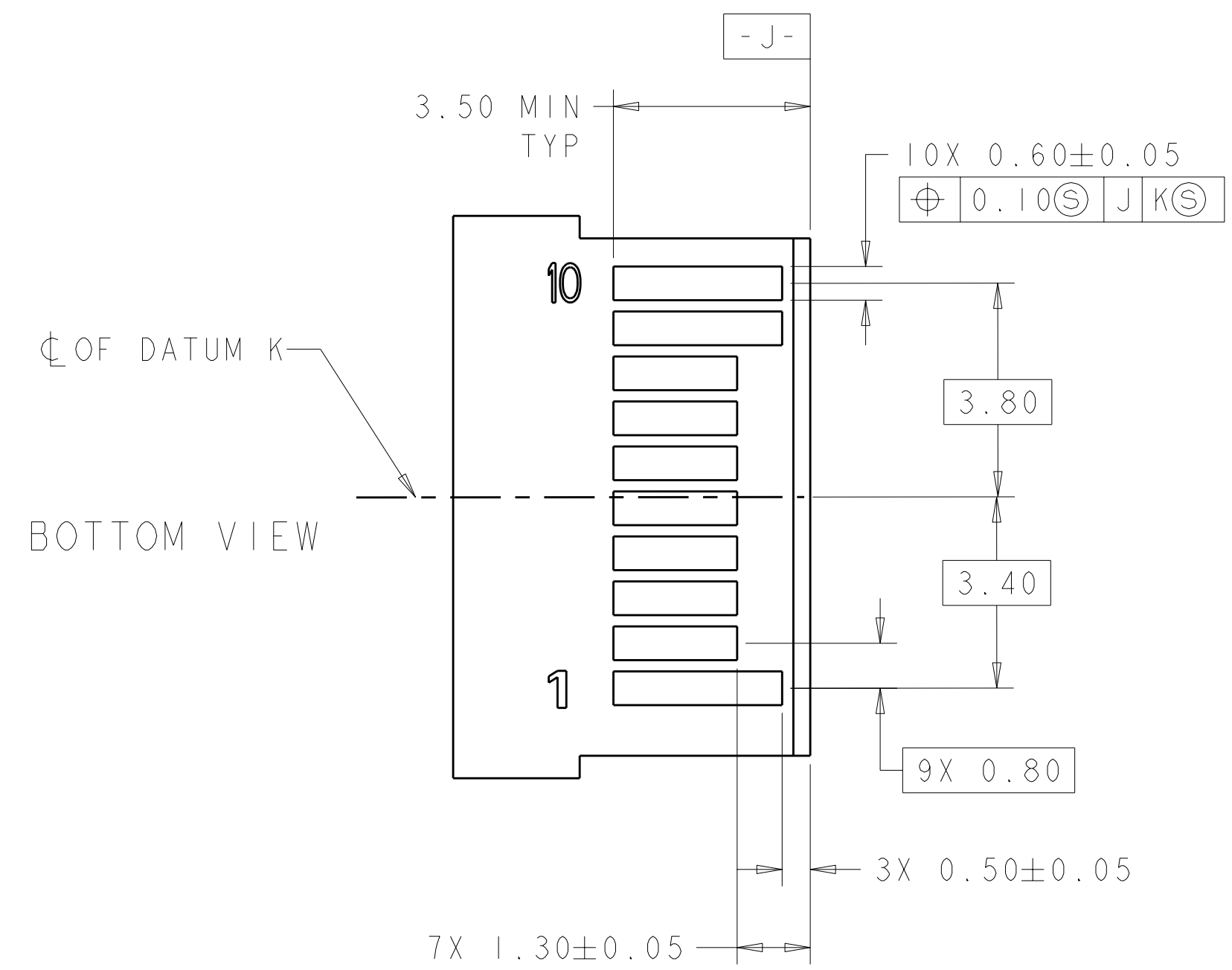
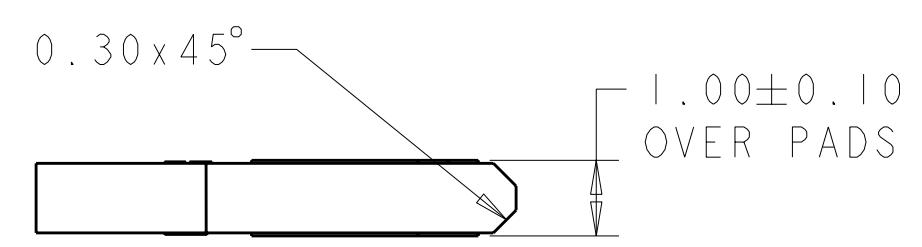
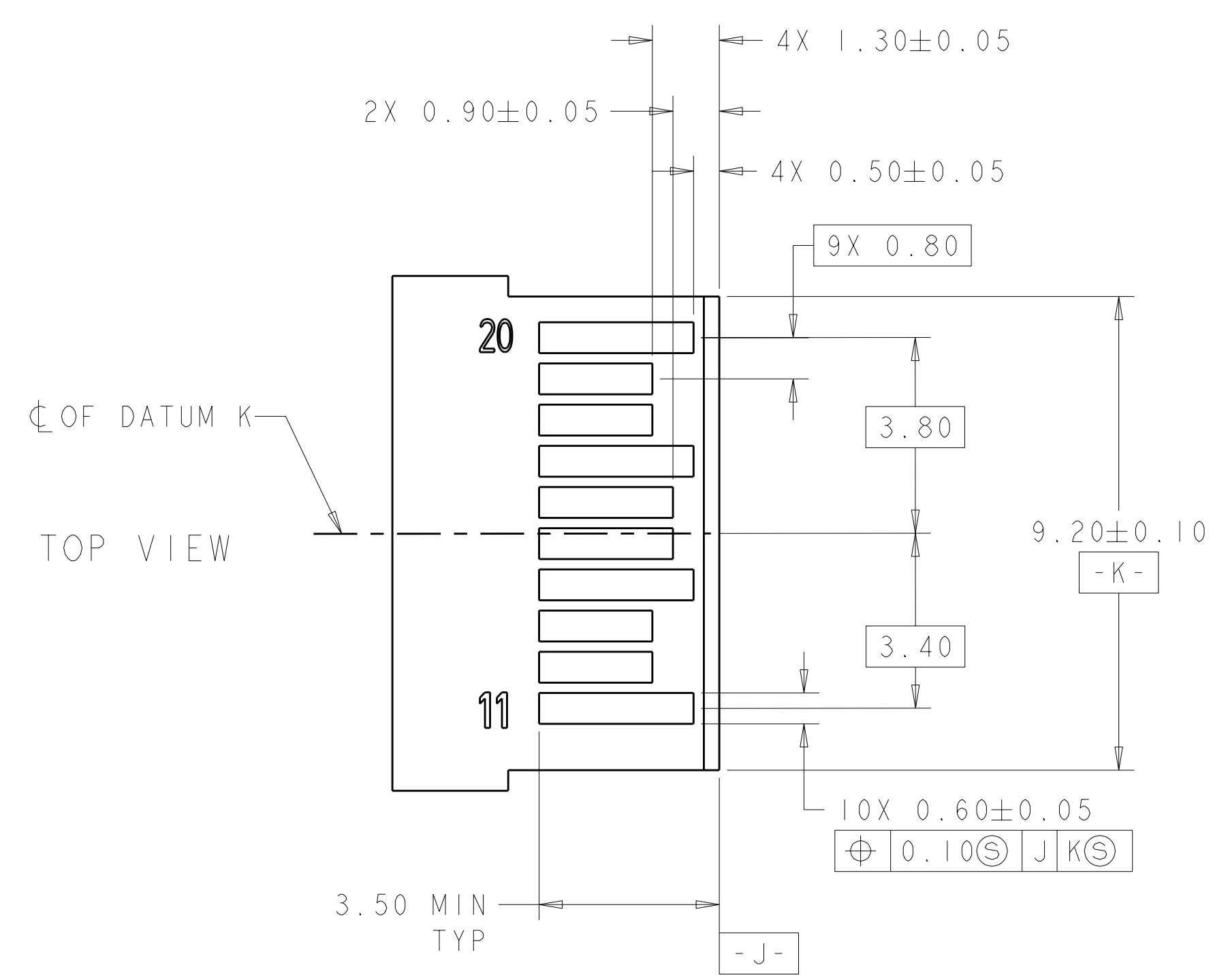
- 1 MATERIAL:
HOUSING: HIGH TEMPERATURE LCP, UL 94V-0 RATED, WHITE
CONTACTS: PHOSPHOR BRONZE.
- 2 FINISH:
CONTACTS: 0.00076 MIN GOLD ON CONTACT AREA, 0.00013 MIN GOLD ON SOLDER AREA. ALL OVER 0.0038 MIN NICKEL UNDERPLATE ON ENTIRE CONTACT. LUBRICANT ON GOLD PLATE CONTACT AREAS.
3. PACKAGED 480 PIECES PER REEL.
- 4 DATUMS AND BASIC DIMENSIONS TO BE ESTABLISHED BY CUSTOMER; SEE DRAWING 1367034 FOR LAYOUT WHEN USED WITH 1367034-1 BOTTOM CAGE (STANDARD SFP APPLICATION).
- 5 FINISH:
CONTACTS: 0.00038 MIN GOLD ON CONTACT AREA, 0.00013 MIN GOLD ON SOLDER AREA. ALL OVER 0.0038 MIN NICKEL UNDERPLATE ON ENTIRE CONTACT. LUBRICANT ON GOLD PLATE CONTACT AREAS.



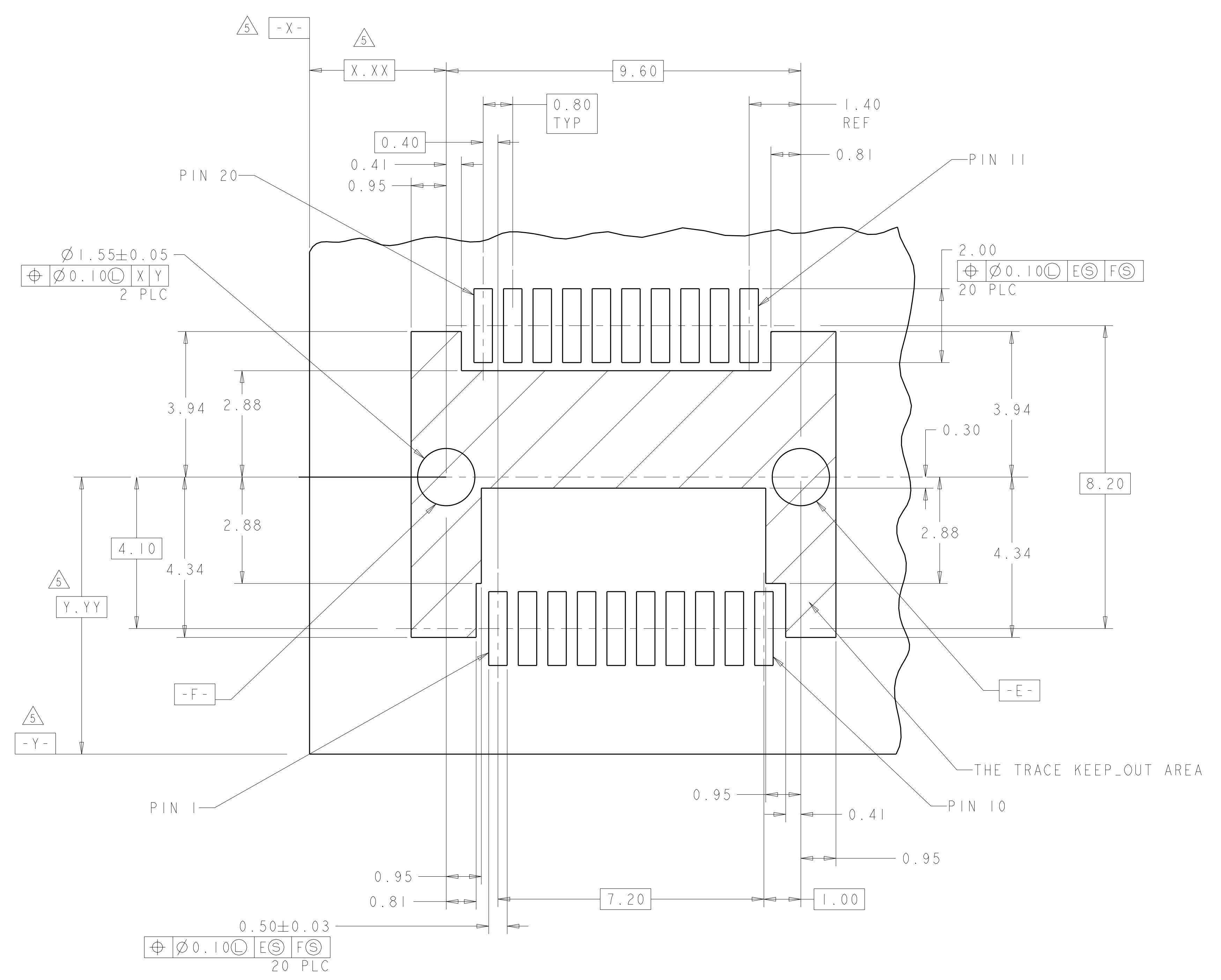
1888247-2	
1888247-1	
FINISH	PART NUMBER

DIMENSIONS: mm 9 PLC ± 1 PLC ±0.10 5 PLC ± 4 PLC ± ANGLES ±		TOLERANCES UNLESS OTHERWISE SPECIFIED: 0.10 B 0.10 M B C M D M SOLDER LEADS		DWN B MCMMASTER 14FEB06 CHK S SHUEY 14FEB06 APVD S SHUEY 14FEB06		Tyco Electronics Corporation Shanghai, P.R.China, 200233	
MATERIAL:		FINISH: -		NAME: PT CONNECTOR ASSEMBLY, 20 POS, RIGHT ANGLE, 0.8mm PITCH, SFP SFP+		SIZE: CAGE CODE DRAWING NO. RESTRICTED TO A 100779 C=1888247	
CUSTOMER DRAWING				SCALE: 12:1		SHEET 1 OF 2 REV F	

LOC	DIST	REV	DATE	APPD	REVISED
ES	00				
		SEE SHEET 1			



RECOMMENDED LAYOUT DETAIL
 MATING TRANSCEIVER PCB
 SCALE 10:1



RECOMMENDED PCB LAYOUT DETAIL
 CONNECTOR MOUNTING SIDE
 SCALE 14:1

DIMENSIONS: mm TOLERANCES UNLESS OTHERWISE SPECIFIED: 9 PLC ± 1 PLC ±0.10 5 PLC ± 4 PLC ± ANGLES ±		DWN B. MCMASTER 14FEB06 CHK S. SHUEY 14FEB06 APVD S. SHUEY 14FEB06		Tyco Electronics Tyco Electronics Corporation Shanghai, P.R.China.200233	
MATERIAL: FINISH: -		PRODUCT SPEC: 108-1949 APPLICATION SPEC: 114-13017 WEIGHT: - CUSTOMER DRAWING		NAME: PT CONNECTOR ASSEMBLY, 20 POS, RIGHT ANGLE, 0.8mm PITCH, SFP SFP+ SIZE: A100779 CAGE CODE: C=1888247 SCALE: 12:1 SHEET 2 OF 2 REV F	